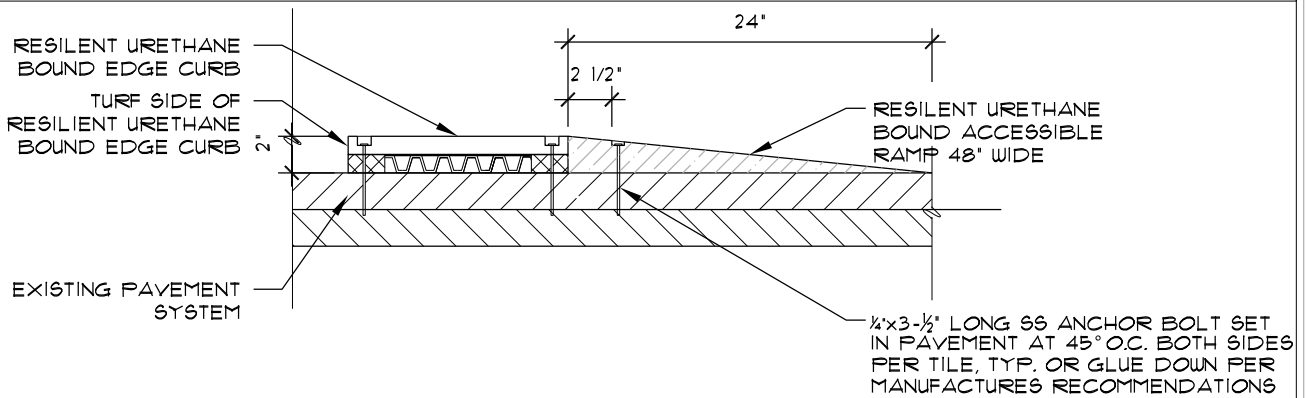
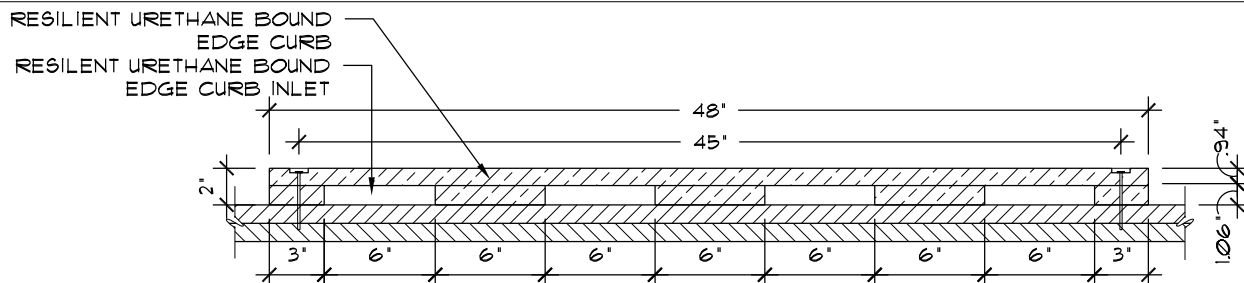


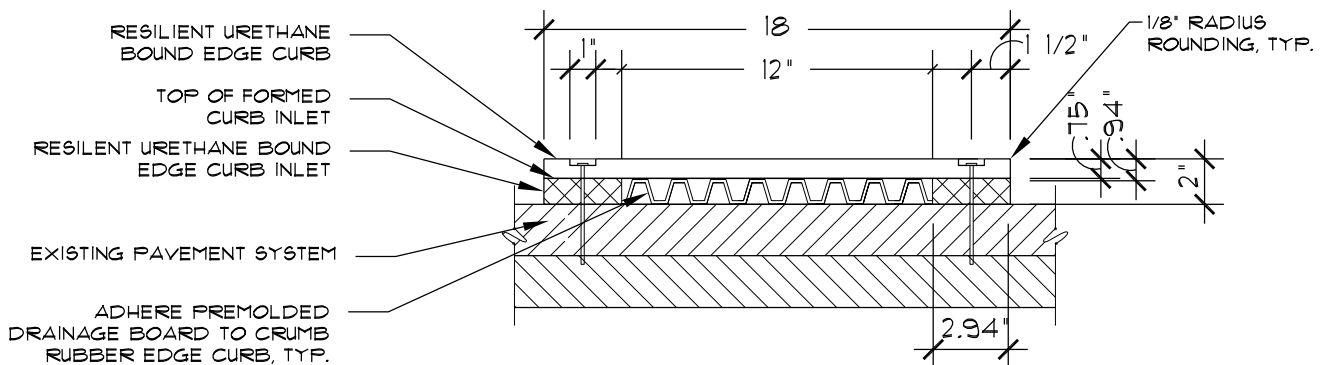
EDGE CURB @ TURF-EDGE - SECTION



ACCESSIBLE RAMP @ EDGE CURB - EDGE SECTION



RESILIENT URETHANE BOUND EDGE CURBING - SIDE ELEVATION



RESILIENT URETHANE BOUND EDGE CURBING - SECTION

ROOF TOP ON (E) PAVEMENT SYSTEM

SCALE:

NTS